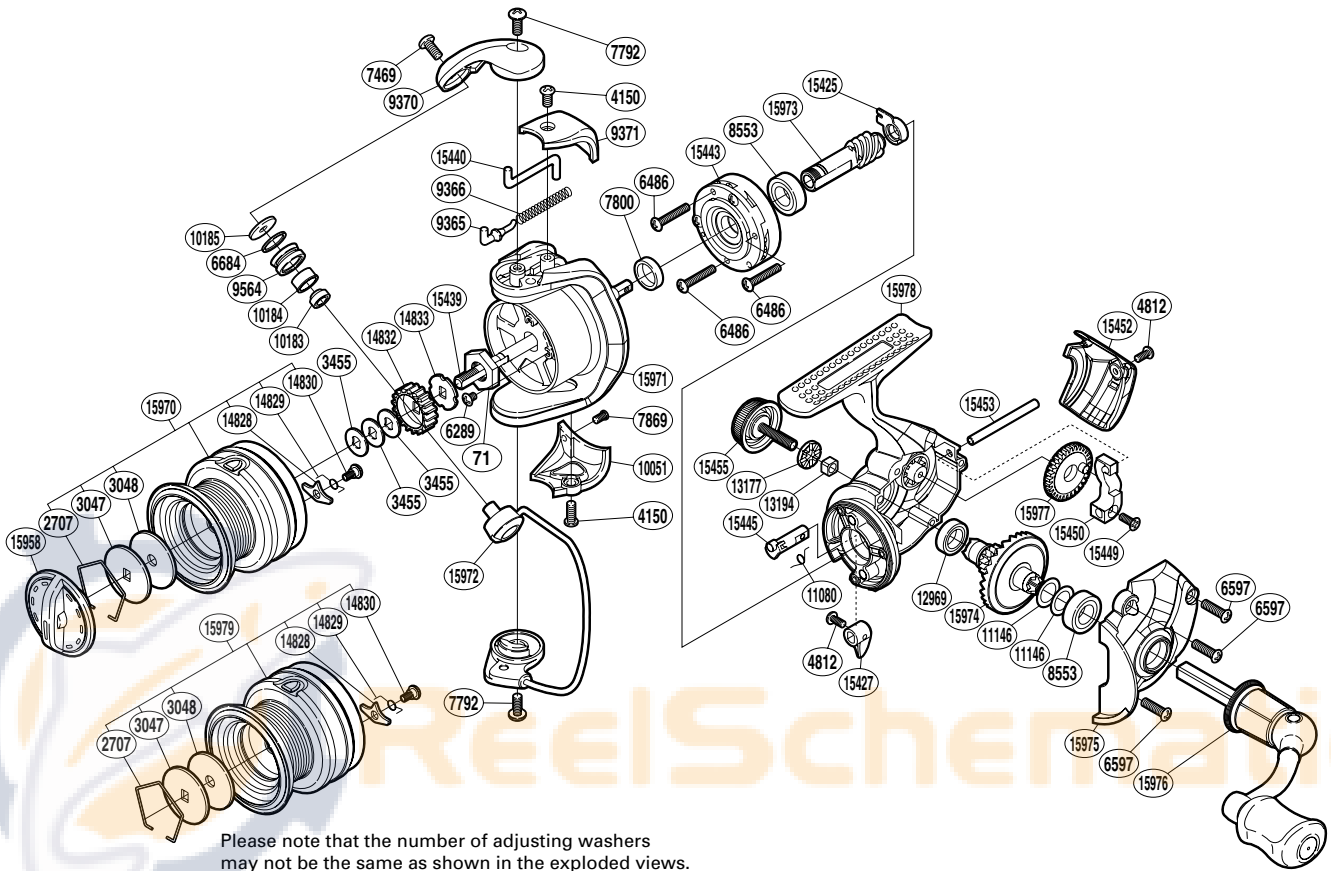


SHIMANO

EXAGE

EXG-1000FD



Please note that the number of adjusting washers may not be the same as shown in the exploded views. (Adjustment will vary with each individual product.)
(51SG791003G)

Part No.	Description	Part No.	Description	Part No.	Description
RD 0071	Rotor Nut	RD10183	Ball Bearing *	RD15453	Oscillating Guide
RD 2707	Drag Washers Retainer	RD10184	Line Roller Bushing *	RD15455	Handle Screw Cap
RD 3047	Key Washer	RD10185	Line Roller Washer *	RD15958	Drag Knob
RD 3048	Drag Washer	RD11080	Anti-Reverse Cam Spring	RD15970	Spool Assembly
RD 3455	Spool Washer	RD11146	Washer **/*****	RD15971	Rotor
RD 4150	Screw	RD12969	Ball Bearing *****	RD15972	Bail Assembly
RD 4812	Screw	RD13177	Handle Screw Cap Spacer	RD15973	Pinion Gear **
RD 6289	Screw	RD13194	Handle Screw Lock	RD15974	Drive Gear **
RD 6486	Screw	RD14828	Drag Click *****	RD15975	Side Cover
RD 6597	Screw	RD14829	Drag Click Spring *****	RD15976	Handle Assembly
RD 6684	Line Roller Spacer *	RD14830	Screw *****	RD15977	Oscillating Gear
RD 7469	Screw *	RD14832	Spool Support A	RD15978	Body
RD 7792	Screw ****	RD14833	Spool Support B		
RD 7800	Rotor Ring	RD15425	Pinion Gear Bushing	RD15979	Spare Spool Assembly
RD 7869	Screw	RD15427	Anti-Reverse Lever		
RD 8553	Ball Bearing *****	RD15439	Main Shaft		
RD 9365	Bail Spring Guide ****	RD15440	Bail Trip Lever		
RD 9366	Bail Spring ****	RD15443	Roller Clutch Assembly	PK 0184	Line Roller Set *
RD 9370	Bail Arm	RD15445	Anti-Reverse Cam	PK 0185	Gear Set **
RD 9371	Bail Spring Cover	RD15449	Screw	PK 0186	Bail Spring Set ****
RD 9564	Line Roller *	RD15450	Oscillating Slider	PK 0187	Bearing Set *****
RD10051	Bail Hold Support Guard	RD15452	Rear Protector	PK 0085	Drag Clicker Set *****